



US00D771343S

(12) **United States Design Patent** (10) **Patent No.:** **US D771,343 S**
Colwell et al. (45) **Date of Patent:** **** Nov. 8, 2016**

(54) **TRASH CONTAINER ENCLOSURE**
(71) Applicants: **Patrick D. Colwell**, Glastonbury, CT
(US); **Sebastian Pawel Poczesny**,
Vernon, CT (US)

D401,720 S * 11/1998 Newquist D34/1
D421,824 S * 3/2000 Hornyak D34/1
D448,905 S * 10/2001 Skalka D34/1
D457,701 S * 5/2002 Slear D34/1
2007/0138172 A1 * 6/2007 Richardson B65F 1/02
220/4.01

(72) Inventors: **Patrick D. Colwell**, Glastonbury, CT
(US); **Sebastian Pawel Poczesny**,
Vernon, CT (US)

* cited by examiner

(**) Term: **15 Years**

Primary Examiner — Cynthia Ramirez
(74) *Attorney, Agent, or Firm* — Matthew J Patterson

(21) Appl. No.: **29/526,728**

(57) **CLAIM**
The ornamental design for a trash container enclosure, as
shown and described.

(22) Filed: **May 13, 2015**

(51) **LOC (10) Cl.** **09-09**

(52) **U.S. Cl.** **D34/6**
USPC **D34/6**

(58) **Field of Classification Search**
USPC D34/1–11; 220/908–913
CPC B65F 1/163; B65F 1/06; B65F 1/08;
B65F 1/16; B65F 1/1615
See application file for complete search history.

DESCRIPTION

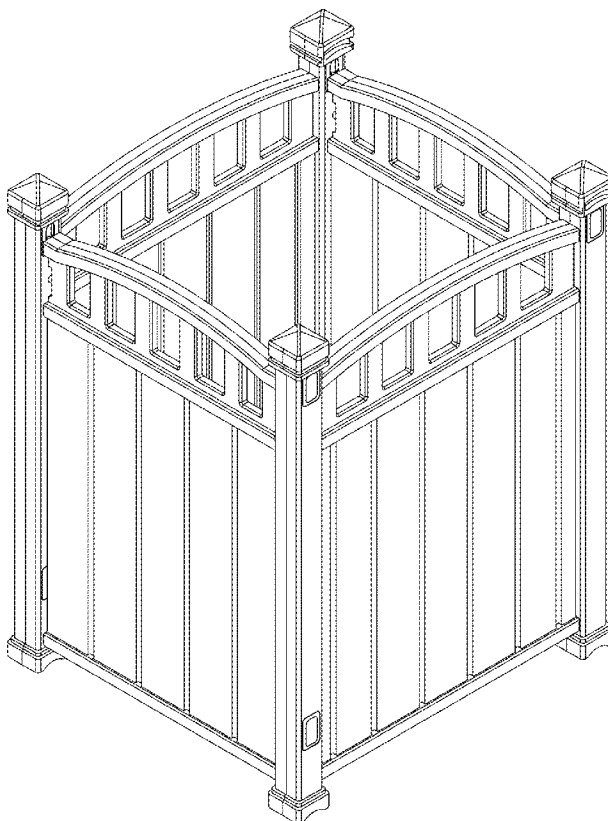
FIG. 1 is a top rear perspective view of the trash container enclosure of the present invention;
FIG. 2 is a rear view thereof;
FIG. 3 is a front view thereof;
FIG. 4 is a right side view thereof;
FIG. 5 is a left side view thereof;
FIG. 6 is a top view thereof;
FIG. 7 is a bottom view thereof; and,
FIG. 8 is a top front perspective view thereof showing the rear panel in alternate position.

(56) **References Cited**

U.S. PATENT DOCUMENTS

2,452,097 A * 10/1948 Bornside B41J 3/24
110/235
D374,528 S * 10/1996 Zackson D34/1

1 Claim, 5 Drawing Sheets



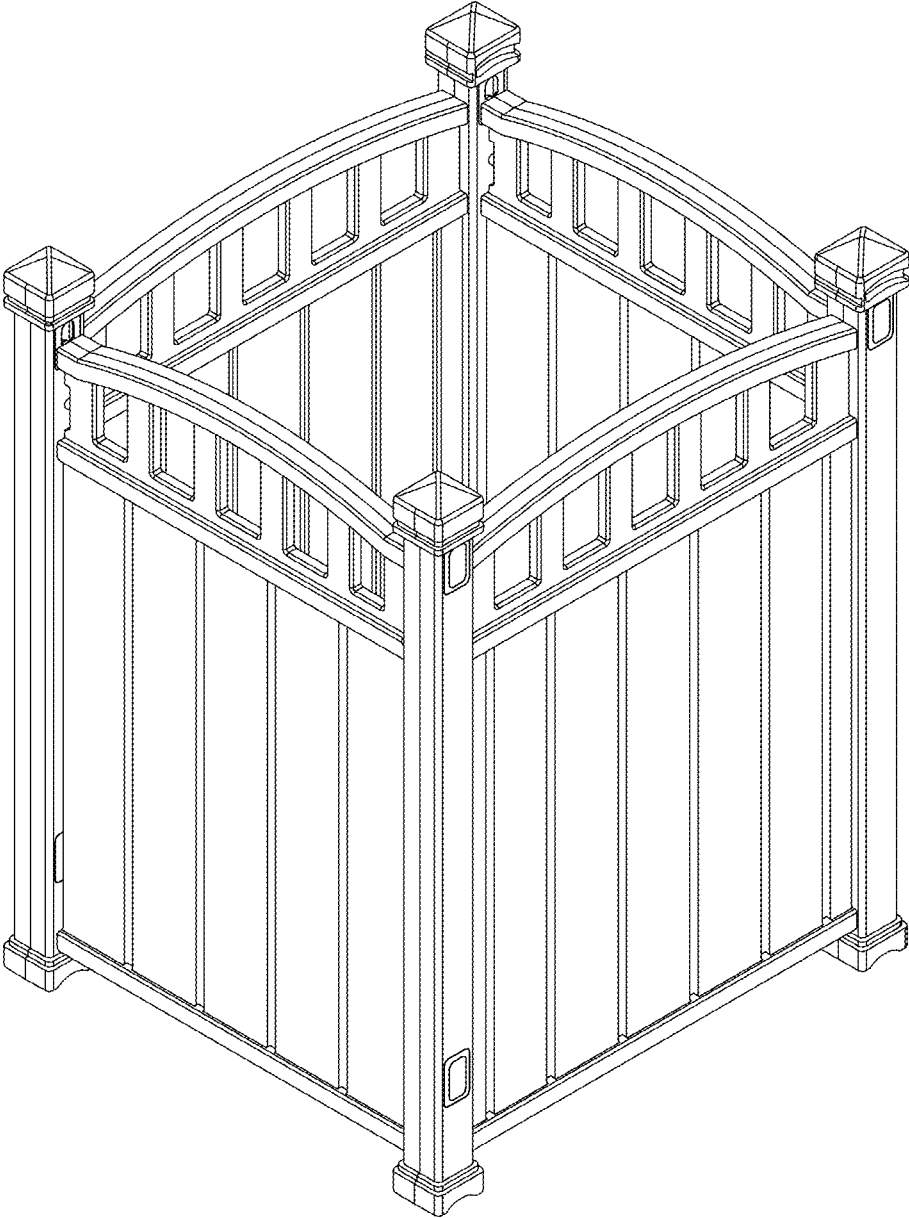


FIG. 1

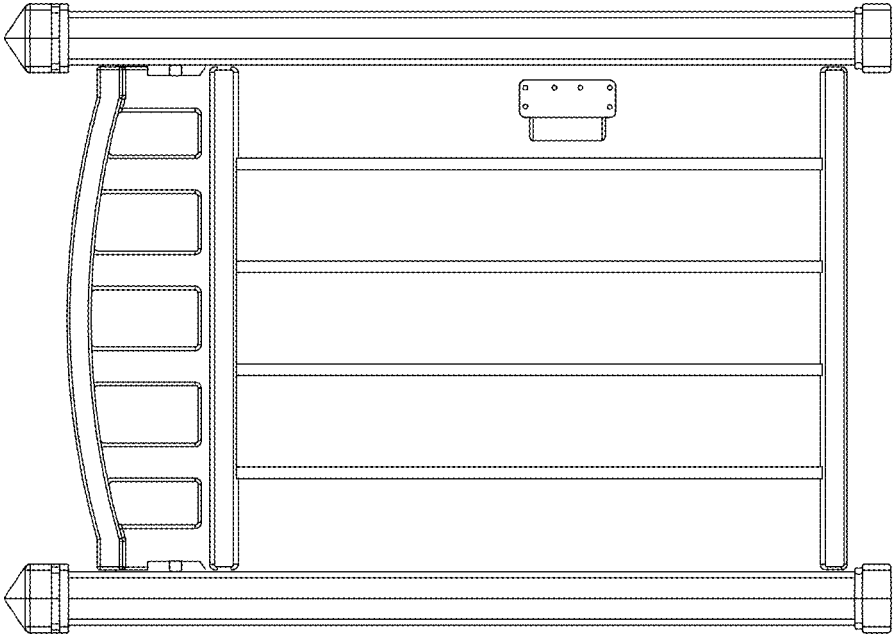


FIG. 3

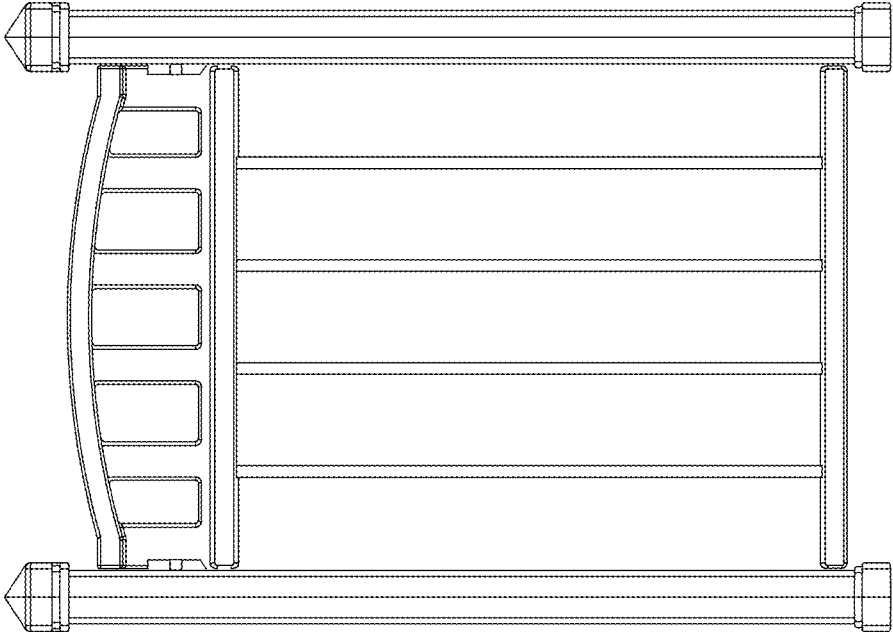


FIG. 2

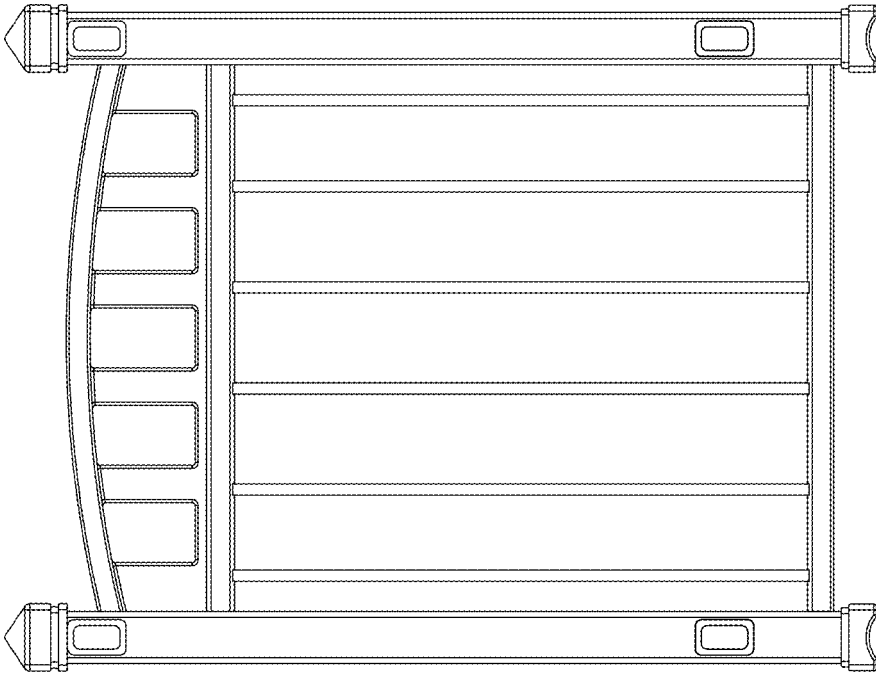


FIG. 5

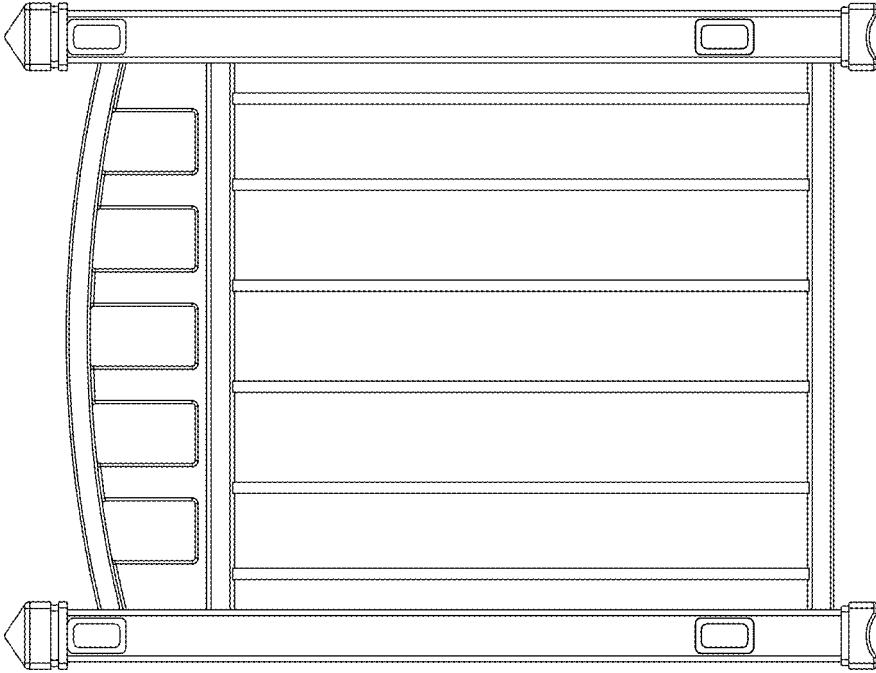


FIG. 4

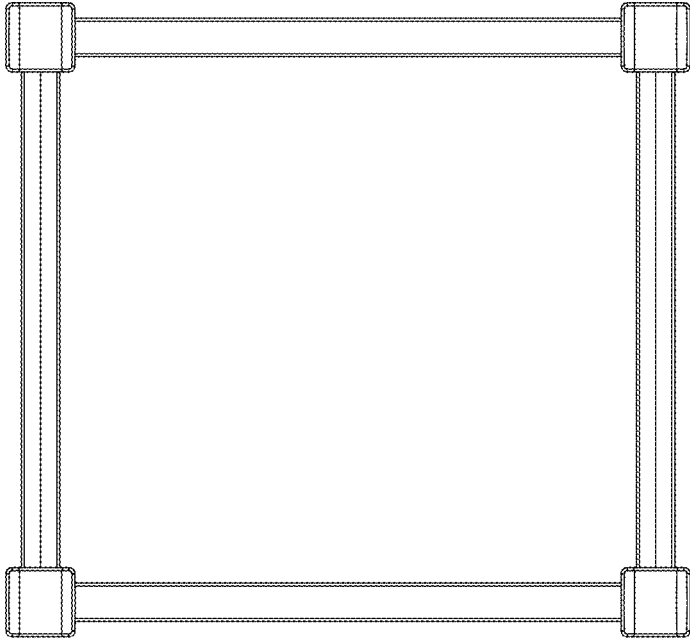


FIG. 7

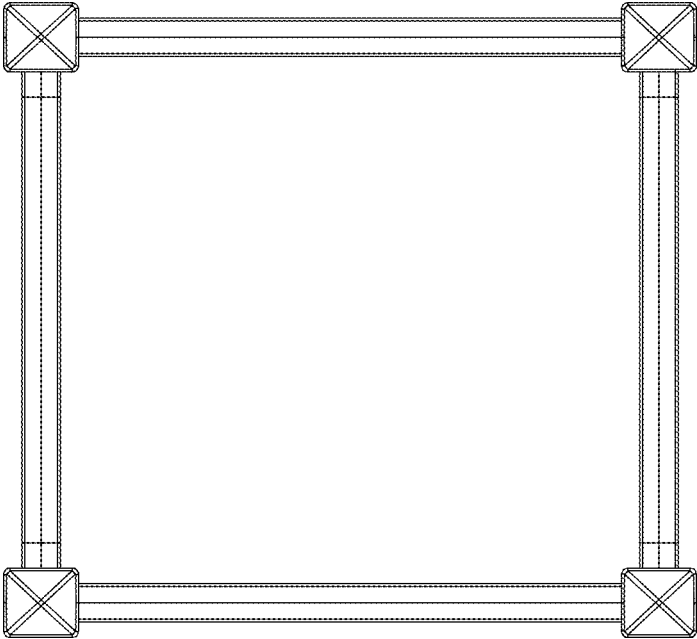


FIG. 6

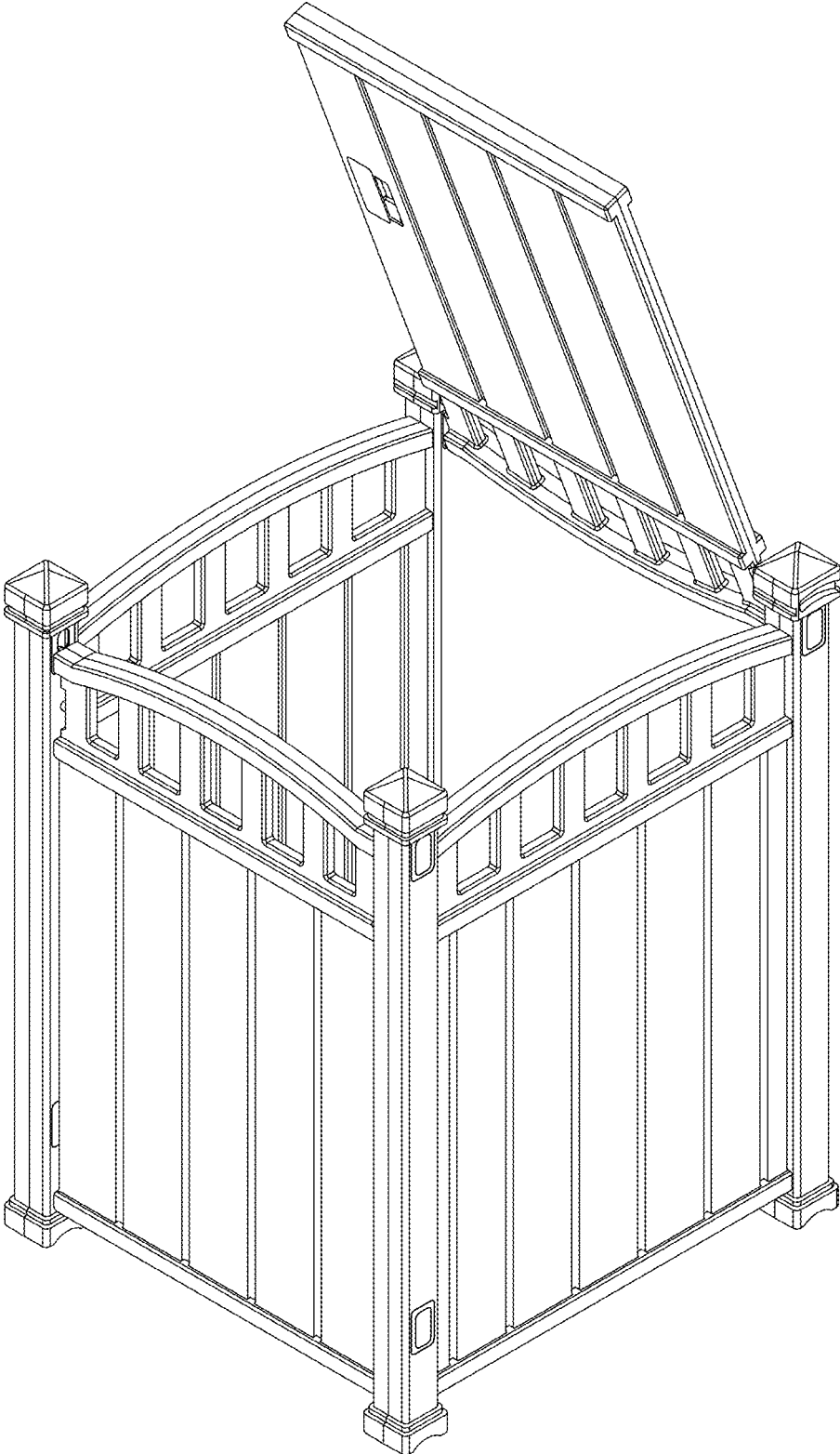


FIG. 8